

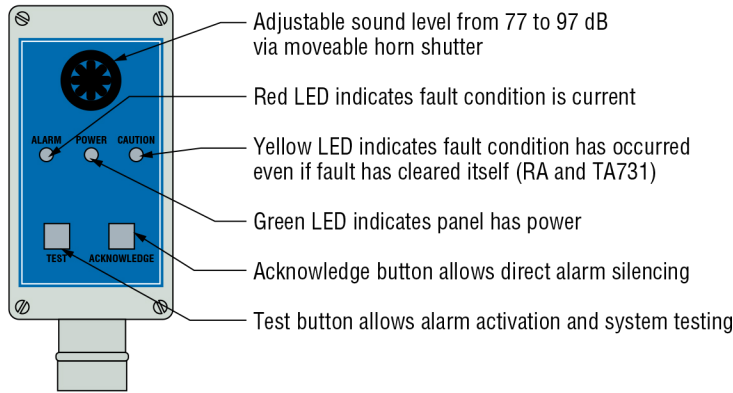
RA431 and TA73x Alarm Panels Scream Warning @ 97 dB

RA Features

- Can be used with conductivity probes
- Small footprint design
- Size 6 pan head screw connections

TA Features

- Intrinsically safe approved
- Auxiliary contact for remote annunciation or cutoff
- One or two channels
- Two conduit connection hubs



RA-431 shown. TA Series includes an additional 1/2" NPT conduit connection for power.

Specifications

Supply Voltage	120 VAC +10%/-15%, 4.8 VA Max.
Indicators	Red, Green and Yellow Solid-State LED's
Audible Alarm	Field Adjustable From 77 to 97 dB @ 2 Feet
Enclosure	
TA Series	Polycarbonate
RA Series	NEMA 4 – Weather tight polycarbonate
Sensor Voltage	12 VAC or 12 VDC
Terminals	Size 6 Pan Head Screws with Captive Wire Clamping Plate
Temperature	-22°F to +150°F (-5.5°C to +65.5°C)
Sensitivity	0-26K Ohm Maximum Specific Resistance
Maximum Wire Run	1000 Feet (14 or 16 Gauge MTW or THHN Wire)
Conduit Connection	3/4" FNPT, PVC Material
Listings	
TA Series	U.L. 913 Intrinsically Safe, File # E44570
RA Series	U.L. 508 Motor Control, File # E138209

How To Order

Select Part Number based on switch logic and number of channels.

RA Series

Used for non-hazardous liquid monitoring applications.

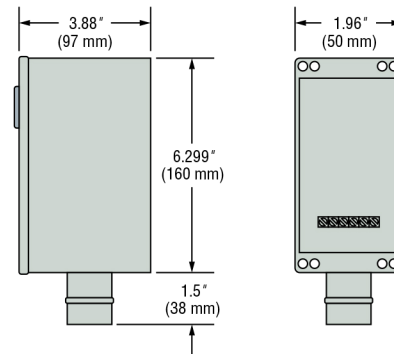
Interface Contacts	Part Number
N.O. Dry (Sensor Normally Dry)	RA-431A-0
N.C. Dry (Sensor Normally Wet)	RA-431B-0

TA Series

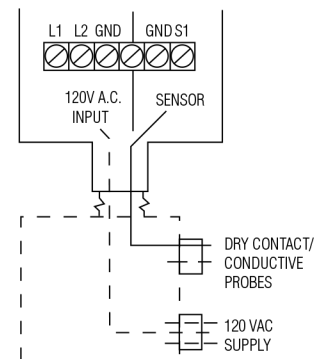
Intrinsically-safe for hazardous locations.

Interface Contacts	Number of Channels	Part Number
N.O. Dry (Sensor Normally Dry)	1	TA-731A-0
	2	TA-732A-0
N.C. Dry (Sensor Normally Wet)	1	TA-731B-0
	2	TA-732B-0

Dimensions



Wiring – RA Series



Wiring – TA Series

